

INSD02IRF

2MP H.265+ Dome Camera W/SD Slot

- 2MP, 1/2.7" CMOS image sensor, low illuminance
- Outputs 2MP (1920 × 1080) at 25/30 fps
- H.265 codec, high compression rate, ultra-low bit rate
- Built-in IR LED, max IR distance: 30 m
- Intelligent detection: Intrusion, tripwire

Unify your Security Solution

Starlight Technology Improve your levels of security by using our Starlight technology. With its optical features, Starlight Technology will be able to balance all lighting throughout a scene. This will capture any colored details regardless of the lighting.

Smart H.265+ & H.264+

STORM smart encoding technology can provide high-quality video with higher efficiency and can also reduce the cost of storage space and transmission adopting an advanced algorithm of auto stream control.

On-board Analytics

This camera responds accurately to specific events in a given area. Our algorithm enables Tripwire violations, intrusion detection, abandoned/missing objects and much more. Facilitate your viewing experience using on the edge analytics – one product, multiple features.

LiteAI
Edge Analytics



*Design and specifications are subjects to change without notice.



INSD02IRF

2MP H.265+ Dome Camera W/SD Slot

Product Specifications

Camera					
Image Sensor	1/2.7" 2 Megapixel progressive CMOS				
Effective Pixels	1920 (H) × 1080 (V)				
RAM/ROM	128MB/128MB				
Scanning System	Progressive				
Electronic Shutter Speed	Auto/Manual 1/3 s–1/100,000 s				
Minimum Illumination	0.005 Lux at F1.6				
S/N Ratio	More than 56 dB				
IR Distance	30 m (98.43 ft)				
IR LEDs	3				
Camera Features					
Day/Night	Auto(ICR) / Color / B/W				
Backlight Compensation	BLC / HLC / DWDR				
White Balance	Auto / natural / street lamp / outdoor / manual / regional custom				
Gain Control	Auto/Manual				
Noise Reduction	3D NR				
Motion Detection	OFF/ON (4 areas, rectangular)				
Region of Interest	Yes (4 areas)				
Smart Illumination	Yes				
Privacy Masking	4 Areas				
Lens					
Lens Type	Fixed Lens				
Mount Type	M12				
Focal Length	2.8mm				
Max. Aperture	F1.6				
Viewing Angle	Horizontal: 110.0° Vertical: 59.0° Diagonal: 132.0°				
Pan/Tilt/Rotation	Pan: 0°–355°; Tilt: 0°–65°; D: 0°–355°				
DORI Distance	Lens	Detect	Observe	Recognize	Identify
	2.8mm	37.3 m (122.38 ft)	14.9 m (48.88 ft)	7.5 m (24.61 ft)	3.7 m (12.14 ft)
Video					
Compression	H.265+; H.264+; MJPEG				
Resolution	1080p (1920 × 1080); 1.3MP (1280 × 960); 720p (1280 × 720); D1 (704 × 576/704 × 480); VGA (640 × 480); CIF (352 × 288/352 × 240)				
Frame Rate	Main Stream: 1920 × 1080 (1 fps to 25/30 fps)				
	Sub stream: 704 × 576 (1 fps to 25 fps) 704 × 480 (1 fps to 30 fps)				
Bit Rate	H.264: 32 kbps–6144 kbps H.265: 12 kbps–6144 kbps				

*Design and specifications are subjects to change without notice.



INSD02IRF

2MP H.265+ Dome Camera W/SD Slot

Product Specifications

Intelligent Functions	
Lite AI	Intrusion; tripwire
Alarm	
Alarm Event	No SD card; SD card full; SD card error; network disconnection; IP conflict; illegal access; motion detection; video tampering; tripwire; intrusion; voltage detection; security exception
Network	
Ethernet	RJ-45 (10/100 Base-T)
SDK & API	Yes
Cyber Security	Video encryption; firmware encryption; configuration encryption; Digest; WSSE; account lockout; security logs; IP/MAC filtering; generation and importing of X.509 certification; syslog; HTTPS; 802.1x; trusted boot; trusted execution; trusted upgrade
Storage	FTP; SFTP; NAS; Micro SD Card up to 256 GB
Management Software	STORM, STORM+, ARKIV
Protocol	IPv4; IPv6; HTTP; HTTPS; TCP; UDP; ARP; RTP ; RTSP; RTCP; RTMP; SMTP; FTP; SFTP; DHCP; DNS; DDNS; QoS; UPnP; NTP; Multicast; ICMP; IGMP; NFS; PPPoE; 802.1x; Bonjour
Compatibility	CGI; P2P; Milestone; Genetec
Maximum User Access	20
Smart Phone	iOS, Android
General	
Power Supply	12V DC/PoE (802.3af)
Power Consumption	Less than 5W
Working Environment	-40°C to +60°C (-40°F to +140°F); Less than 95% RH
Protection	IP67, IK10
Dimensions	81 mm × Φ109.9 mm (3.19" × Φ4.33")

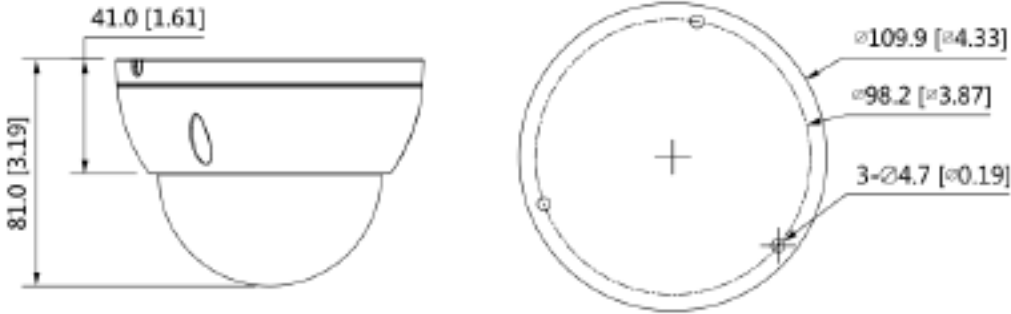
*Design and specifications are subjects to change without notice.



INSD02IRF

2MP H.265+ Dome Camera W/SD Slot

Product Specifications



**INSX136
Junction Box**



**INSX200W
Rain Cover**







**INSX203
Wall Mount**

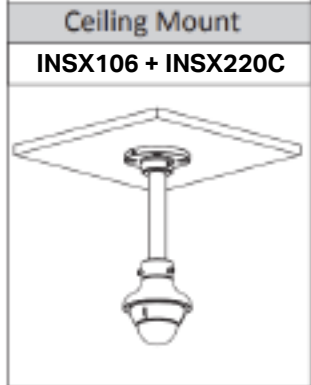


**INSX152
Pole Mount**



**VUSD256G
Micro SD Card**

Junction Mount	Wall Mount	Wall Mount	Pole Mount
INSX136	INSX200W + INSX136	INSX203	INSX203 + INSX152
			



**INSX106
Mount Adapter**



**INSX220C
Ceiling Mount**

*Design and specifications are subjects to change without notice.

